

Project Portfolio

R. Vincent Erb





R. Vincent Erb

3823 Leesburg Rd. Fort Wayne, IN 46808

(260) 466-7739

vinnivanhood@badassdistribution.com

As a current student at Ivy Tech I study computer aided design. I also offer automotive brake replacement services thru my own small business. With my uniquely diverse experience and training coupled with my reliability and diligence I offer a valuable collection of qualities to any employer. I also have computer skills which include proficiency with Word, Power Point, and Solidworks 3D design software.

Education:

IVY TECH Community College: Sophomore in Design Program with mechanical concentration

I maintain a perfect 4.0 GPA, have just three remaining classes, and will graduate in 2013

Supervisor Training

Hazardous Waste Management Training

Basic First Aid Training

Southwood Jr./Sr. High School: Graduated Class of '87

Driver/Operator License:

Indiana Chauffeurs License with motorcycle endorsement

Experienced with straight truck, fork truck, electric mold cart, and skid steer

HAM radio license KC9MRB

Other:

My business's assets include two registered Indiana Trademarks, several copyrighted documents and designs, and numerous webpages that I oversee. Aside from brake and road services I also offer a resume' creation service.

I own a group that I formed in Oct. 2012 called *Fort Wayne Design Students and Enthusiasts*. The group's assets include a LinkedIn group, Facebook page, and its primary website all of which I am also the administrator of.

Links to all of my webpages and more can be found at: <http://rvincenterb.weebly.com>

R. Vincent Erb

3823 Leesburg Rd. Fort Wayne, IN 46808

(260) 466-7739

vinnivanhood@badassdistribution.com

Work Experience:

- 10/11-Present B.A.D.™ LLC (260)466-7739
Give Me A Brake!™ disk brake replacement service
President: Own & Operate
- 10/06-10/11 AGING AND IN-HOME SERVICES (260)745-1200
2927 Lake Ave. Fort Wayne, IN 46805
Motor Route Carrier: Delivered hot meals to the home-bound
- 11/04-07/05 TRANSWHEEL/TRANSMETCO (*Staffmark*) 1-800-943-3577
4000 Yeoman Way Huntington, IN 46750
Wheel Sorter: Unloaded semi-trailers with skid steer and fork trucks, sorted & ID'd wheels, loaded furnace, and drove straight truck
- 04/02-12/05 MOTOR ROUTE CARRIER: *for several newspapers*
& Delivered, billing and collection
- 02/07-09/07 FORT WAYNE NEWSPAPERS (260)461-8444
PERU TRIBUNE (765)473-6641
WABASH PLAIN DEALER (260)563-2131
- 07/94-04/03 WABASH MAGNETICS CONTROL PRODUCTS GROUP *closed*
1450 First St. Wabash, IN 46992
Group Leader: Responsible for all 3rd shift operations, supervision, material handling, maintenance (injection molding), quality assurance (digital calipers, charting), training, mold changing-job setup, plant start-up & shutdown, and building security
- 06/85-08/93 PINE FARM GREENHOUSES INC. *closed*
2792 S. River Rd. Wabash, IN 46992
General Laborer: Stocking, receiving, lawn care, plant care, delivered, and operated flat-filler

R. Vincent Erb

3823 Leesburg Rd. Fort Wayne, IN 46808

(260) 466-7739

vinnivanhood@badassdistribution.com

References:

- Renee' Baughman
Prior Supervisor Aging & In-Home Services
Known for seven years
1715 Hensch St.
Fort Wayne, IN 46808
(260) 423-9623
- Justin Lewis
3D Scanning Technician
Known for 10 years
6730 Lawnwood Dr.
Fort Wayne, IN 46815
(260) 226-2789
- Lindsey Swalley
Graphic Design, Ecommerce Design & Development
Known for five years
2510 Sherborne Blvd.
Fort Wayne, IN 46805
(260) 385-5534
- Kris Henderson
Manufacturing associate
Known for 30 years
PO Box 162
Huntington, In 46750
(765) 251-0907



AVAILABLE PROJECT PORTFOLIOS



IVY TECH
COMMUNITY COLLEGE



CHANGING LIVES

Design Technology – Mechanical Concentration

The Mechanical concentration prepares you to start a career in an engineering design support position. Areas of study include design and manufacturing documentation, 3D parametric solid modeling, kinematic analysis, and manufacturing processes. Mechanical concentration graduates are skilled in wireframe, surface, solid, and parametric solid 3D modeling, as well as industrial graphics standards. You have the skills to contribute immediately and utilize all aspects of engineering design graphics.



Project: Ham Radio QSL Card



N9PWM

Robert Erb

13018 Lanark Place
Fort Wayne, IN 46814
Allen County USA

GRID EN71ib
OMISS 7499
WAS #696
Rig Kenwood TS450s
Amp 811H
Ant G5-RV
Tuner MFJ-962D

| QSL | | |
|--------|-----|------|
| Month | Day | Year |
| | | |
| UTC | | |
| MHz | | |
| Mode | | |
| Report | | |
| S | | |
| R | | |
| QSL | | |
| Act | | |
| | | |



PROPRIETARY AND CONFIDENTIAL
 THE INFORMATION CONTAINED IN THIS DRAWING IS THE SOLE PROPERTY OF <INSERT COMPANY NAME HERE>. ANY REPRODUCTION IN PART OR AS A WHOLE WITHOUT THE WRITTEN PERMISSION OF <INSERT COMPANY NAME HERE> IS PROHIBITED.

| | | | | |
|-------------|---------|-------------------------------------|-----------|------|
| | | UNLESS OTHERWISE SPECIFIED: | NAME | DATE |
| | | DIMENSIONS ARE IN INCHES | DRAWN | |
| | | TOLERANCES: | CHECKED | |
| | | FRACTIONAL ± | ENG APPR. | |
| | | ANGULAR: MACH ± BEND ± | MPG APPR. | |
| | | TWO PLACE DECIMAL ± | Q.A. | |
| | | THREE PLACE DECIMAL ± | COMMENTS: | |
| | | INTERPRET DIMETRIC TOLERANCING PER: | | |
| | | MATERIAL: | | |
| | | FINISH: | | |
| NEXT ASSY | USED ON | | | |
| APPLICATION | | DO NOT SCALE DRAWING | | |

| | | |
|-----------------------------|----------|--------------|
| Bad Ass Distribution | | |
| TITLE: | | |
| The Radio Tower | | |
| SIZE | DWG. NO. | REV |
| A | | |
| SCALE: 1:5 | WEIGHT: | SHEET 1 OF 1 |

5

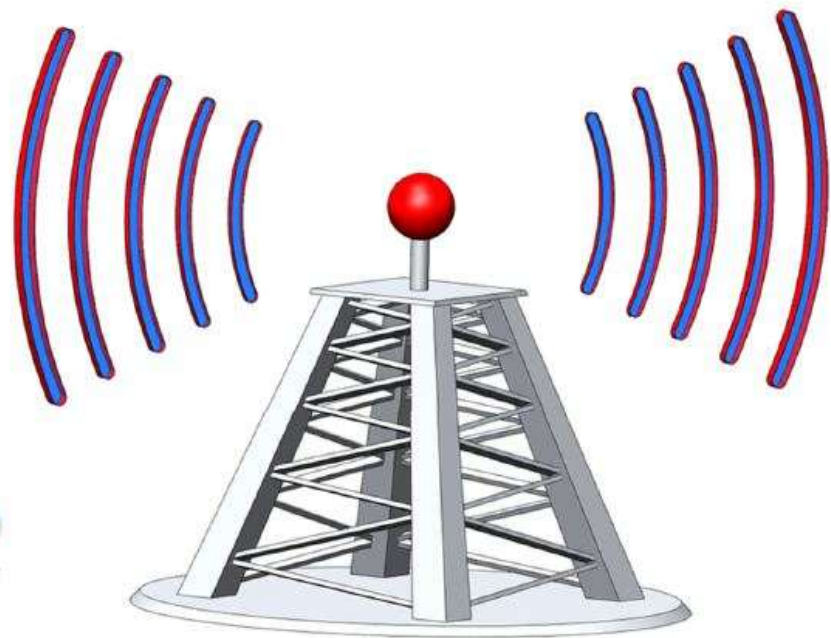
4

3

2

1

N9PWW



ROBERT ERB

N9PWM

Robert Erb

13018 Lanark Place
Fort Wayne, IN 46814

Allen County USA



GRID EN71ib
OMISS 7499
WAS #696
Rig Kenwood TS450s
Amp 811H
Ant G5-RV
Tuner MFJ-962D



| QSL | | |
|--------|-----|------|
| Month | Day | Year |
| | | |
| UTC | | |
| MHz | | |
| Mode | | |
| Report | | |
| S | | |
| R | | |
| QSL | | |
| PLS | THX | |





Are your brakes worn as well as your finances?

Then call: **466-7739** Give Me A Brake!

Affordable disc-brake pad replacement service

Call me anytime 24/7 and get a great deal!

I come to you anywhere in the Fort Wayne area!

- ➔ **Disc-brake pads replaced:** \$25 per axle plus cost of pads
- ➔ **Replace rotors if necessary:** \$20 per rotor plus cost of rotor
- ➔ **Jump starts:** \$20
- ➔ **Change flat with your spare:** \$20

Bad Ass Distribution, B.A.D., www.badassdistribution.com,
Give Me A Brake!, the smiling stop sign logo, and the B.A.D. logos
are registered trademarks of Bad Ass Distribution LLC



Are your finances worn
as thin as your brakes?

Then call **466-7739**

Give Me A Brake!™

*Affordable pad replacement service
Conveniently done at your location!*

*Call me anytime 24/7
and get a great deal!*

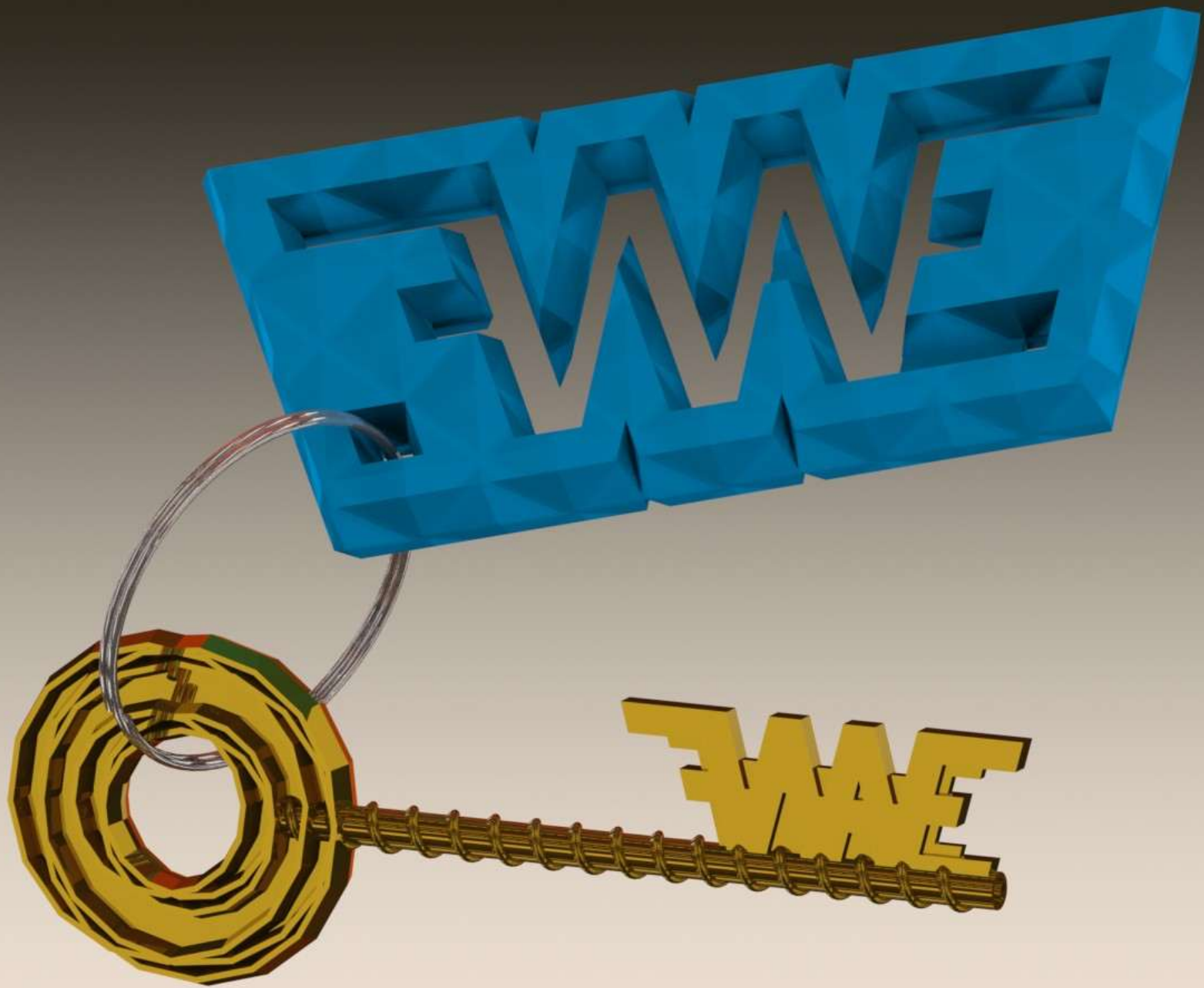
Vince Erb CEO of B.A.D.

I come to you anywhere in the Fort Wayne area!

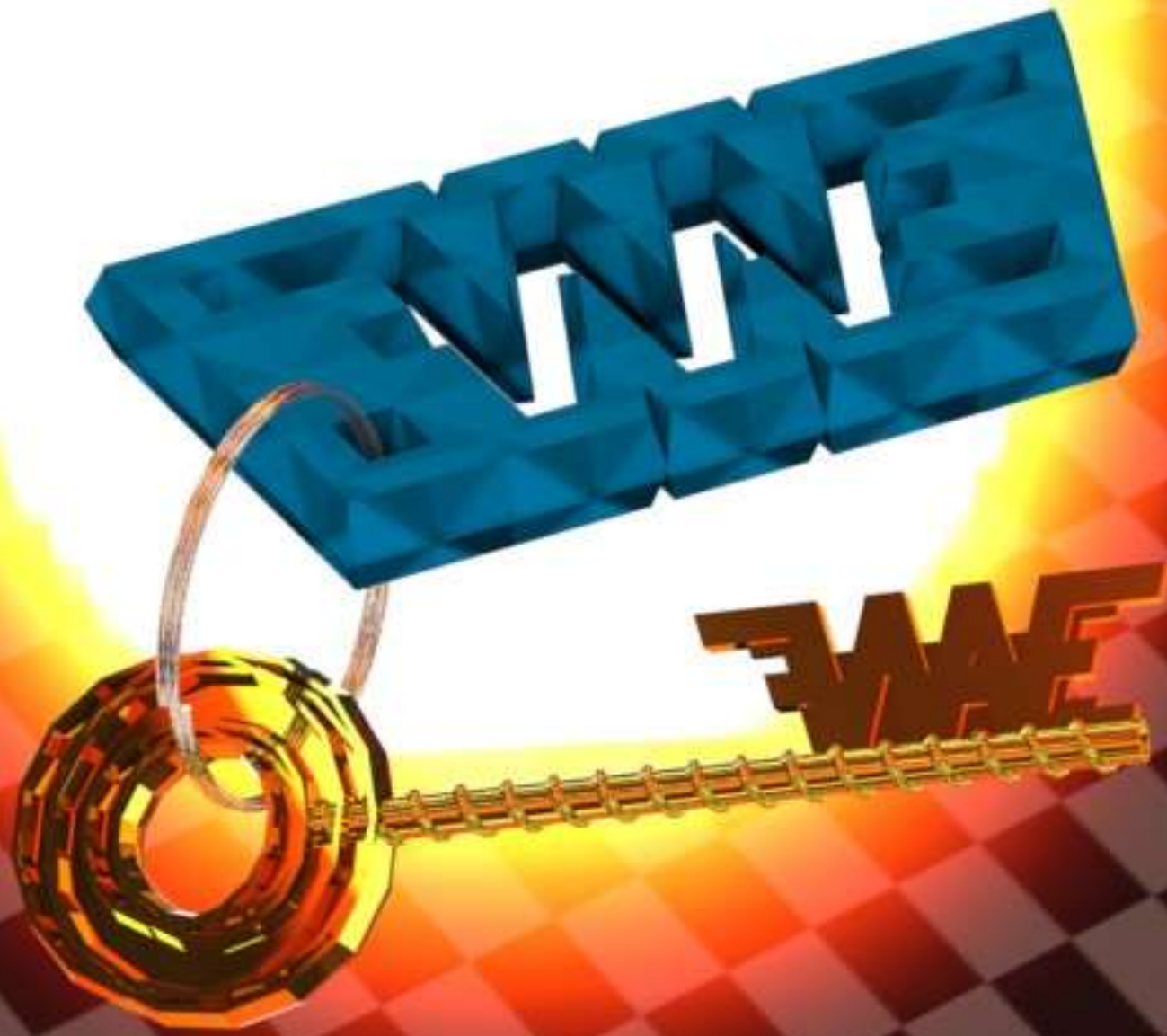
- ⬆ **Disc-brake pads replaced:** \$25 per axle plus cost of pads
- ⬆ **Replace rotors if necessary:** \$20 per rotor plus cost of rotor
- ⬆ **Jump starts:** \$20
- ⬆ **Change flat with your spare:** \$20



Bad Ass Distribution, B.A.D., www.badassdistribution.com,
Give Me A Brake!, the smiling stop sign logo, and the B.A.D. logos
are registered trademarks of Bad Ass Distribution LLC





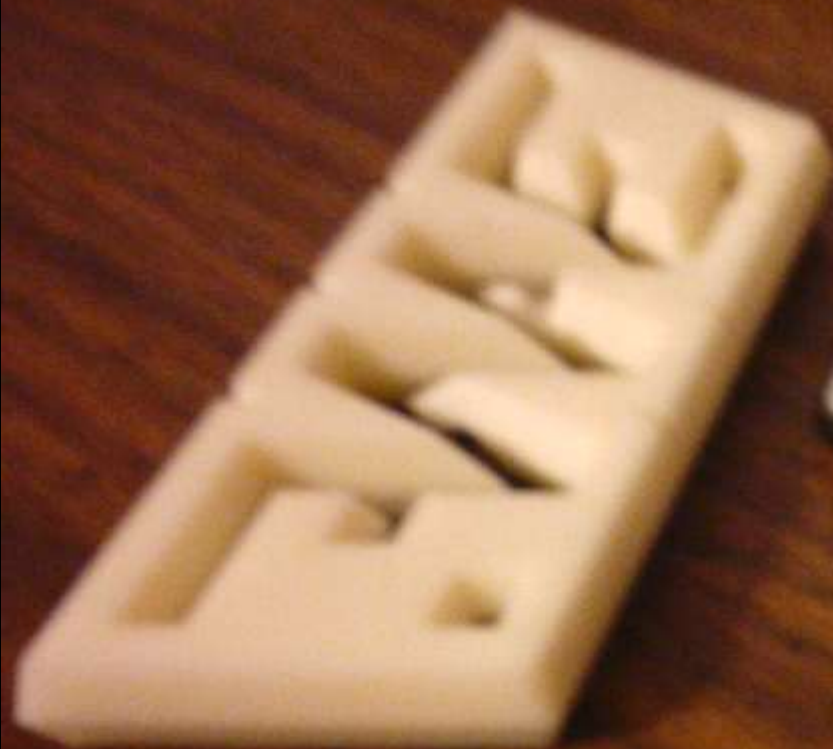






FWWF





WAVE





Give Me A Brake!

486-129







Project: Business Beacon

| | | | |
|--|---|---|---|
|  |  |  |  |
| Base Cover  | Battery Cover  | Beacon Assembly  | Beacon Base RVE  |
|  |  |  |  |
| Beacon Base  | Complete Assembly  | Design Insert  | Feet Sheets  |
|  |  |  |  |
| Insert Cutout Template  | Insert Template Example Set 2  | Insert Template Example Set 3  | Insert Template Example Set 4  |
|  |  |  |  |



B.A.D.

Business

Beacons

Perfect for Any Use!

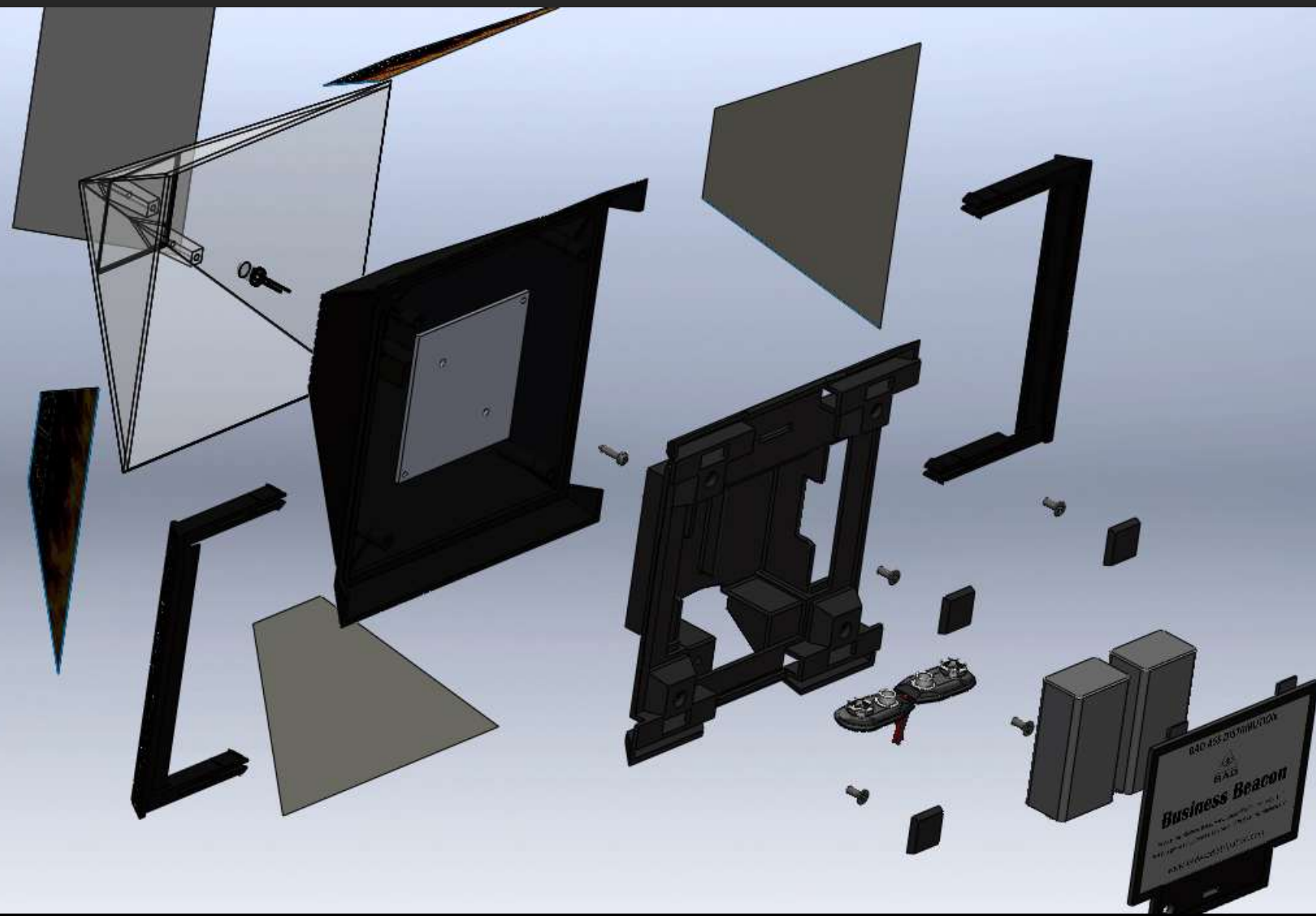
Use your design on the inserts, separately for each side or one on all four
To Advertise Your business,
Display Your Contact Information,
Or Promote Your Group or Special Event!

www.badassdistribution.com



www.badassdistribution.com

www.badassdistribution.com





www.badassdistribution.com

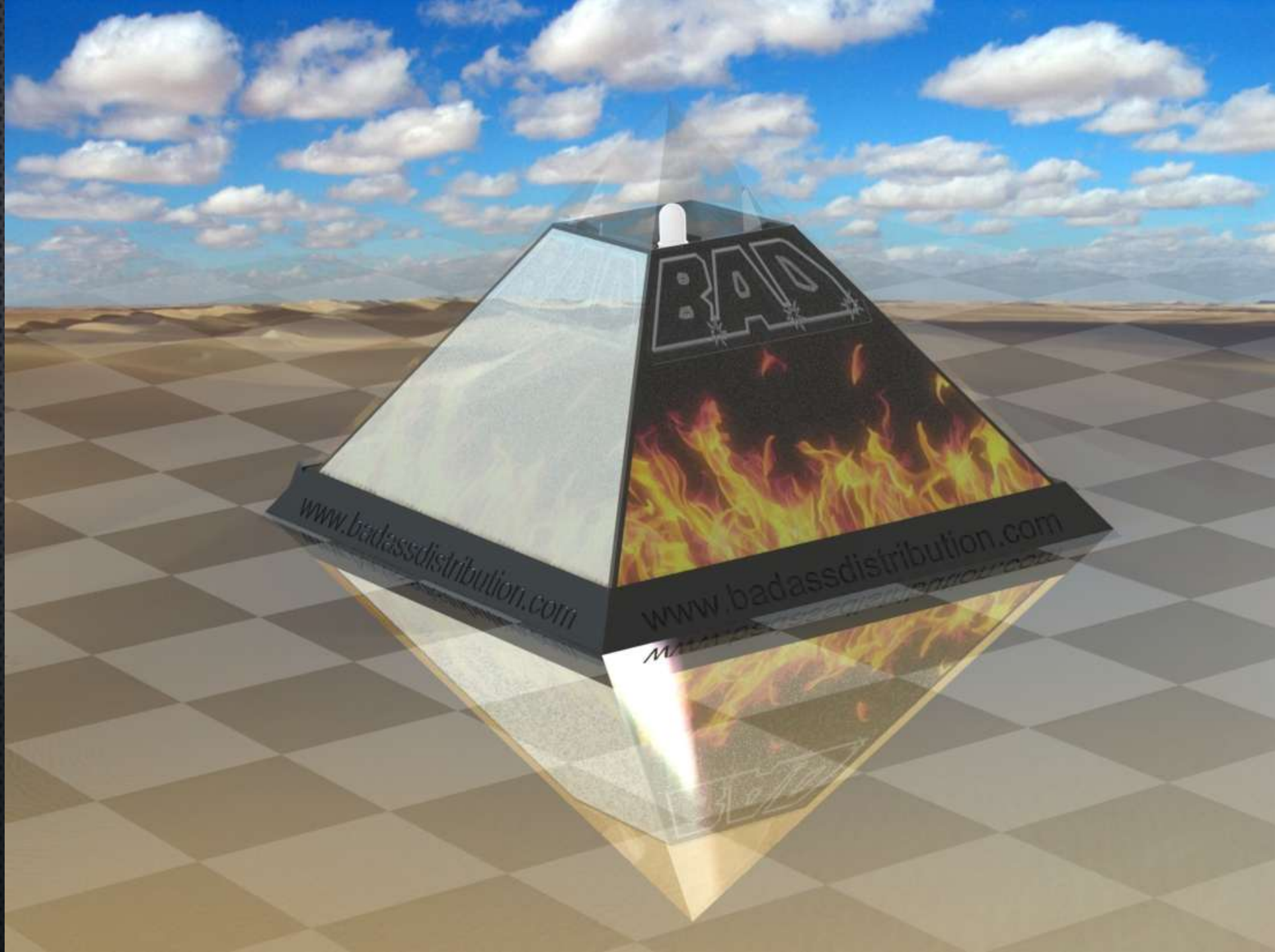


B.A.D.
Business

Beacons
Perfect for Any Use!

Use your design on the inserts, separately for each side or one on all four
To Advertise Your business,
Display Your Contact Information,
Or Promote Your Group or Special Event!

www.badassdistribution.com

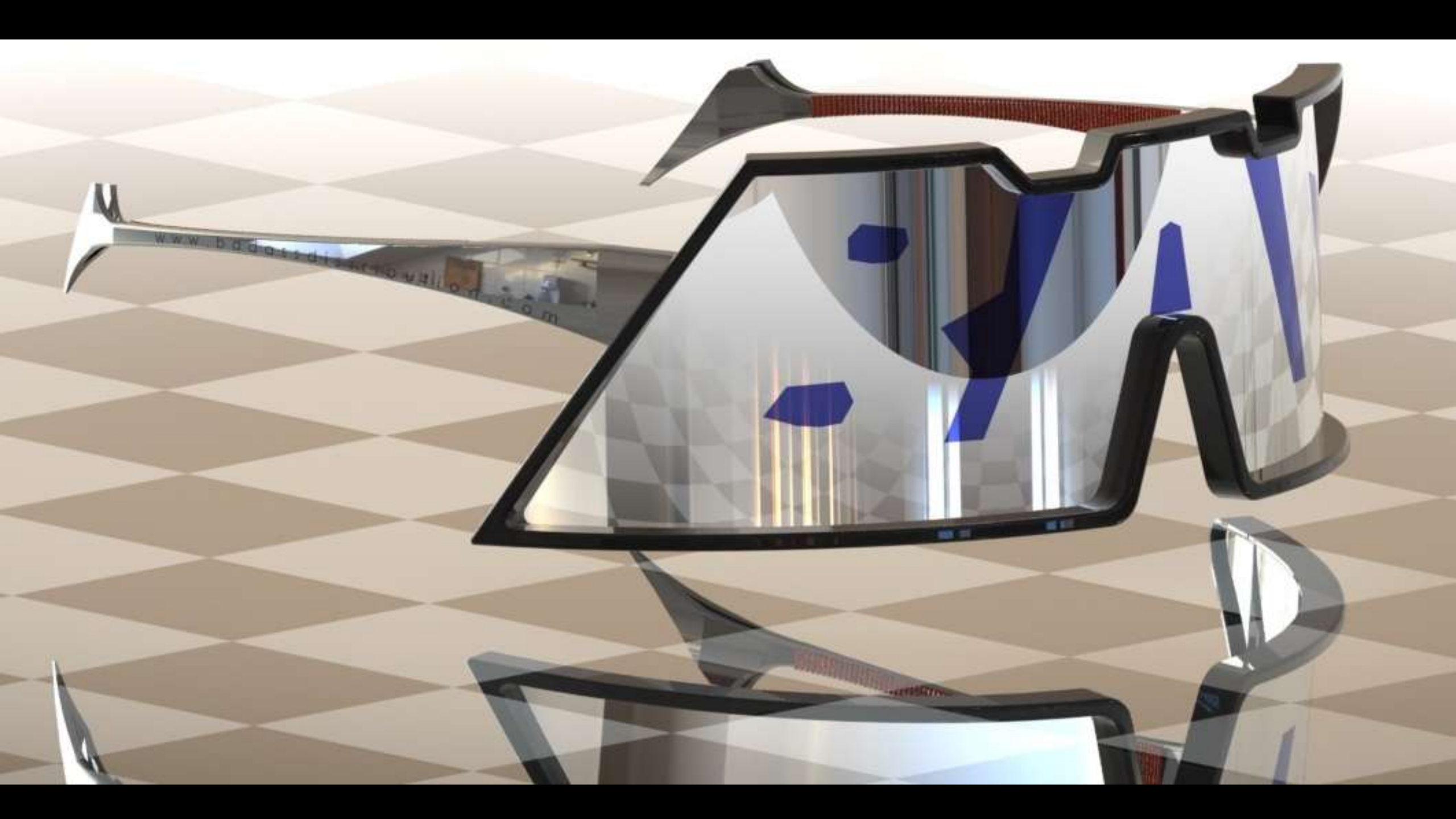




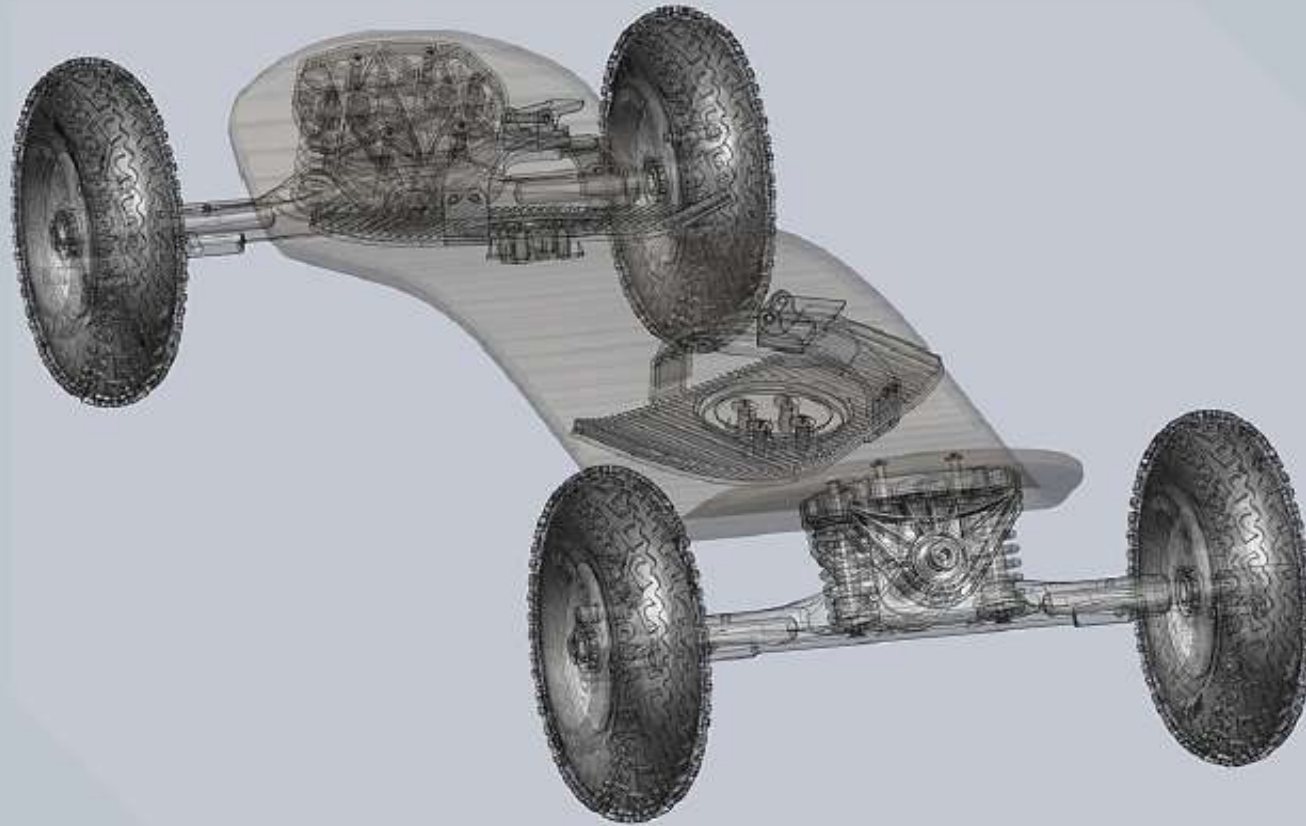




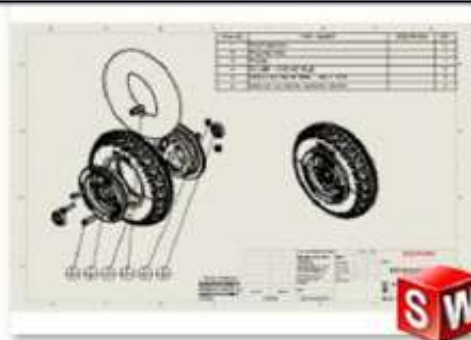




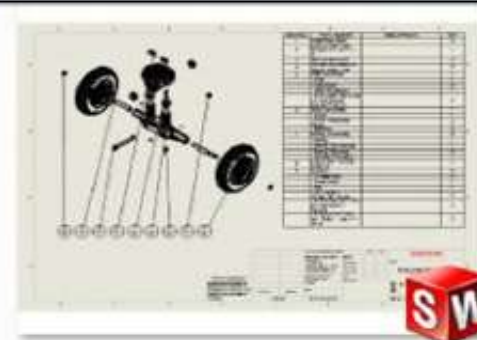
Project: MountainBoard



RVE Mountainboard exploded



RVE Wheel Assembly

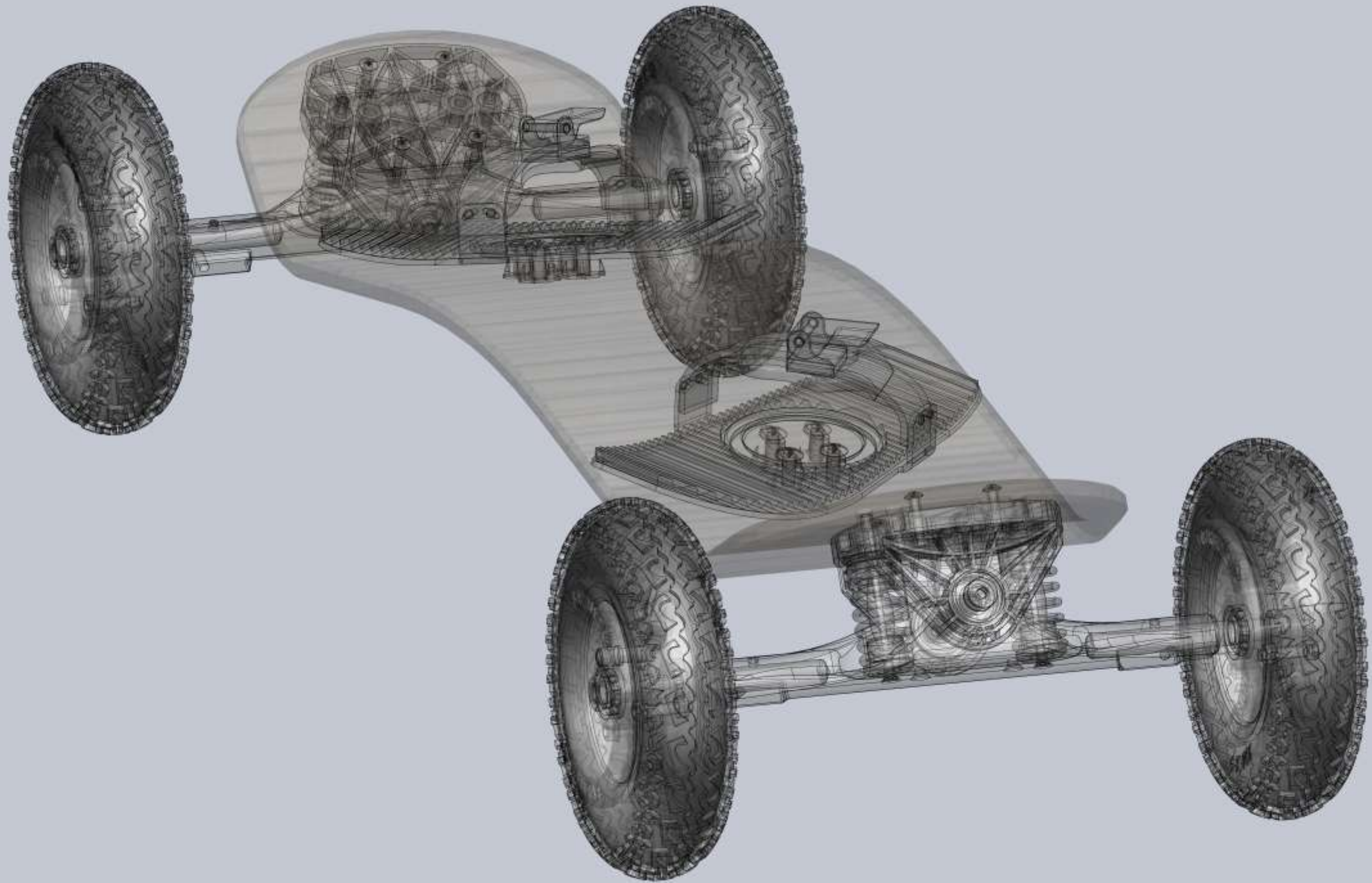


RVE_Truck_Axle_Wheel































SAFARI

~Thank You for Your Interest~

R. Vincent Erb

